

# BOND BULLPUP9



Safety, Instruction  
& Parts Manual

## W A R N I N G

READ THESE INSTRUCTIONS AND WARNINGS CAREFULLY. BE SURE THAT YOU UNDERSTAND THESE INSTRUCTIONS AND WARNINGS BEFORE USING THIS FIREARM.

Made in Texas by Texans.

**BOND**  **ARMS**®

## **W A R N I N G**

READ THESE INSTRUCTIONS AND WARNINGS CAREFULLY. BE SURE THAT YOU UNDERSTAND THESE INSTRUCTIONS AND WARNINGS BEFORE USING THIS FIREARM. THIS SAFETY, INSTRUCTION AND PARTS MANUAL SHOULD ALWAYS ACCOMPANY THIS FIREARM AND BE TRANSFERRED WITH IT UPON CHANGE OF OWNERSHIP OR WHEN THE FIREARM IS LOANED OR PRESENTED TO ANOTHER PERSON. A COPY OF THE SAFETY, INSTRUCTION AND PARTS MANUAL IS AVAILABLE FREE UPON REQUEST FROM:

**[WWW.BONDARMS.COM](http://WWW.BONDARMS.COM)**

## **WARNING WARNING**

CAN BE FIRED WHEN THE MAGAZINE IS REMOVED IF THE CARTRIDGE IS IN THE CHAMBER AND THE TRIGGER IS PULLED.

## **NOTICE OF LIABILITY**

BOND ARMS INC shall not be responsible, either in whole or part, for injury, death, or damage to property resulting from intentional or accidental discharge of this firearm, or from its function when used for purposes or subjected to treatment for which it was not designed. BOND ARMS INC will not honor claims involving our firearms which result from careless or improper handling, unauthorized adjustment, after-market modifications, **REMANUFACTURED AND/OR RELOADED AMMUNITION**, corrosion, neglect, or the use of wrong ammunition, bullets, or any combination of the above.

## TABLE OF CONTENTS

Basic Rules of Firearm Safety.....	4
Safety Features of Your Gun.....	5
General Preparation for Firing.....	5
Ammunition .....	6
Loading.....	7
Firing.....	10
Clearing Misfires .....	10
Unloading.....	11
Targeting & Sighting Adjustment.....	11
Field Stripping.....	12
Limited Warranty .....	15
Your Purchase Record.....	16
Mail-In Warranty Card.....	17
Cleaning & Maintenance.....	20
Lubrication Guide .....	21
Transportation & Storage.....	24
Use of the Gun Lock.....	24
Gun Lock Installation .....	25
Service & Returns.....	25
Parts & Accessories .....	26
Troubleshooting.....	26

## BASIC RULES OF FIREARM SAFETY

At home, in the field, at the range or anywhere, the first concern of every firearm owner should be safety. Apply the following safety rules in every situation, with any kind of firearm.

1. **Learn how to safely use your firearm.** No person should handle any firearm without first becoming familiar with how to operate it safely. Read this manual thoroughly until you understand how to operate the pistol safely.
2. **Always treat your pistol as if it were loaded and ready to fire if the trigger is pulled.** Always exercise the utmost caution when handling your pistol. DO NOT take anyone's word that the pistol is unloaded—always check for yourself.  
**THE BOND ARMS BULLPUP PISTOLS ARE CAPABLE OF FIRING, EVEN WHEN THE MAGAZINE HAS BEEN REMOVED, IF THE TRIGGER IS PULLED.**
3. **Always keep your finger off the trigger until you are ready to shoot.** Your pistol cannot fire unless the trigger is pulled.
4. **Always keep the muzzle pointed in a safe direction.** This is particularly important when loading, unloading or field stripping your pistol. Never point a firearm at anyone or anything that you do not intend to shoot.
5. **Know your target and what is beyond it.** Always be sure of where the bullet will strike. Make sure to shoot only where there is a safe backstop that is free of obstructions, water or other surfaces which can cause ricochets.
6. **Never store your pistol in a loaded condition.**
7. **Keep all firearms away from children.** Always secure your firearm from children or unauthorized persons. Always store your unloaded firearm and ammunition separately and in a secure place inaccessible to children.
8. **Use only the correct ammunition for your firearm.** Never use a cartridge not specifically designated for use in your pistol. The correct caliber designation is 9 mm Luger and is stamped on the frame.
9. **Make sure there are no obstructions in the barrel.** With the magazine removed and the slide open, visually inspect the chamber to determine that it is empty. Then check that the barrel is clear of obstructions.
10. **Wear eye and ear protection as appropriate.** Protect your vision and hearing from damage by always wearing safety glasses and hearing protection.
11. **Never use alcohol or drugs before or while shooting.**
12. **When transporting your firearm, make sure it is unloaded.**
13. **Use only appropriate accessories.** Be sure all accessories, such as holsters and grips, are compatible with the firearm and that the accessories do not interfere with safe operation.

## **SAFETY FEATURES OF YOUR GUN**

**Bond BullPup pistols are equipped with two safeties:** a Double-Action Only (DAO) trigger, and a passive firing pin safety, which blocks the firing pin until you have drawn the trigger back most of the way.

## **GENERAL PREPARATION FOR FIRING**

1. Wear safety glasses and ear protection whether indoors or out.
2. Select a place to shoot which has a safe backstop, is free from obstructions, water or other surfaces which cause ricochets. Check local and state laws to be sure that shooting is permitted at the site you have selected.
3. Always be aware of other people so that they cannot accidentally walk into the line of fire.
4. Position the shooter and all others so that they are not within an area where they may be struck by stray fragments or by ejected cases from other types of firearms.
5. **Keep fingers and other parts of your body away from the muzzle and slide.**
6. When firing at a shooting range, be alert and follow the range officer's commands.
7. Before anyone is allowed forward of the firing position, be sure that all cylinders and actions of firearms are open, that chambers are clear of cartridges, magazines are removed, and that firearms are pointing in a safe direction and **NOT HANDLED ON THE BENCH**. Do not handle firearms while someone is forward of the firing position.
8. Never use alcoholic beverages or other drugs before or during shooting.
9. Be alert at all times. Never shoot if you are tired, cold or impaired in any way.
10. Never cross obstacles such as fences or streams with a loaded firearm.
11. If you are carrying a loaded firearm in the field, keep the muzzle pointed in a safe direction.
12. Think before shooting.
13. **Guns don't think, so you must!**

# AMMUNITION

## WARNING

NEVER USE AMMUNITION WHERE THE PRESSURE LEVELS EXCEED INDUSTRY STANDARDS. BOND ARMS BULLPUP PISTOLS ARE MANUFACTURED FROM HIGH QUALITY MATERIAL. HOWEVER, +P+ CARTRIDGES - WHOSE PRESSURE OFTEN EXCEED EVEN FACTORY PROOF-TEST LEVELS SHOULD NEVER BE USED IN YOUR PISTOL. ALL WARRANTIES, EXPRESSED OR IMPLIED, ARE VOIDED AND BOND ARMS CORPORATION WILL NOT BE LIABLE FOR PROPERTY DAMAGE OR PERSONAL INJURY AND CONSEQUENTIAL DAMAGES IF +P+ AMMUNITION IS USED IN BOND ARMS BULLPUP PISTOLS.

A firearm and ammunition are a system. Their performance is closely related. Bond Arms BullPup pistols are designed for specific caliber ammunition, 9mm Luger (9mm Parabellum); do not alter the barrel or chamber of your Bond Arms BullPup pistol. The caliber designation for this pistol is clearly stamped on the left side of the frame. **Never** use non-standard or reloaded ammunition. **Due to the Bond Arms BullPup's unique feed mechanism, aluminum-cased ammunition is not recommended. This type of ammunition has no crimp, and usually no adhesive, and could allow the bullet and case to become separated while being drawn from the magazine.** While this is not considered a safety hazard, it can result in a misfeed or jam. Please note that there may be styles of brass-cased ammunition that have no crimp that may cause feeding problems. **Not recommended are Federal Champion (Red Box) and Blazer Brass. Because they are both not crimped.**

We always recommend that you first test fire any style of ammunition in your BullPup before using it for self-defense purposes.

### **BULLPUP APPROVED AMMUNITION LIST:**

#### **SELF-DEFENSE**

Hornady Critical Duty 135 gr. FlexLock  
Hornady Critical Defense 115 gr. FTX  
Barnes Tac-XPD 115 gr. +P TAC-XPD  
Federal Low Recoil 135 gr. Hydra-Shok JHP  
Sig Sauer 124 gr. V-Crown JHP  
Sig Sauer 147 gr. V-Crown JHP  
Federal 124 gr. Hydra-Shok JHP  
Speer Gold Dot 115 gr. GDHP  
Federal HST 124 gr. HST

#### **RANGE AMMO**

Monarch Brass 115 gr. FMJ  
American Eagle 115 gr. FMJ  
American Eagle 124 gr. FMJ  
American Eagle 147 gr. FMJ  
American Eagle Syntech 115 gr. TSJ  
Federal RTP 115 gr. FMJ (Range Target Practice)  
Fiocchi 115 gr. FMJ  
Winchester 124 gr. NATO FMJ  
Winchester SXZ 115 gr. FMJ  
Winchester SuperClean 90 gr. Zinc FMJ  
Aguila 115 gr. FMJ  
Aguila 124 gr. FMJ

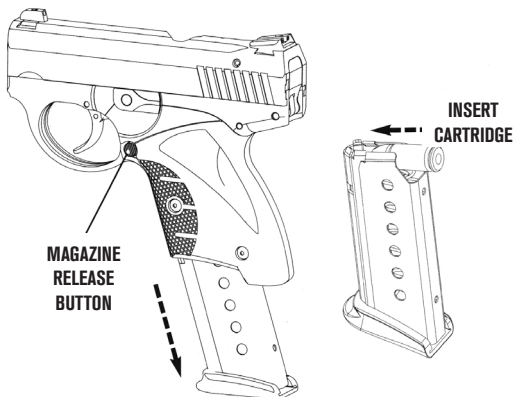
#### **Winchester White Box 115 gr. FMJ (TOP CHOICE)**

Winchester White Box 124 gr. FMJ  
PMC Bronze 115 gr. FMJ  
Speer Lawman 124 gr. TMJ  
Herters Brass Case 115 gr. FMJ  
MaxxTech 115 gr. FMJ  
Remington UMC 115 gr. FMJ  
Remington UMC Mega Pack 115 gr. FMJ  
Remington Range Bucket 115 gr. FMJ  
Remington UMC Leadless 124 gr. FNEB

(See website for updated list.)

## LOADING

Do not load your Bond Arms BullPup pistol until you are ready to use it and thoroughly understand these instructions. Keep your finger outside the trigger guard until you are ready to fire. For safe and reliable performance, use only original Bond Arms BullPup magazines specifically manufactured for your pistol.



Remove the magazine from the pistol by depressing the magazine release. (See figure) Note: this magazine does not have (or need) a magazine follower. Load magazine by pressing the cartridge nose (front of the cartridge) downward on the rearward portion of the magazine spring and sliding the cartridge fully under the lips of the magazine until the cartridge head is all the way forward in the magazine. (See Figure) Repeat this procedure until the number of cartridges you wish to load, up to the magazine capacity of seven (which can be viewed through the holes in the magazine) is attained.

Before inserting the magazine, hold the pistol in one hand with the muzzle pointing in a safe direction and with your trigger finger outside of the trigger guard. With the other hand, pull the slide back until you can look into the chamber, verify that the chamber is empty, and allow the slide to return forward. Insert the loaded magazine firmly into the magazine well of the pistol until it is locked in place. To make sure the magazine is fully and completely

## LOADING (cont.)

seated, apply some removal tension to the exposed portion of the magazine floor plate. After securely inserting the magazine into the pistol, **pull back the slide forcefully and then release**. Since pulling the slide rearward actuates the feed mechanism, it is useful to become acquainted with the unique operation of the BullPup.

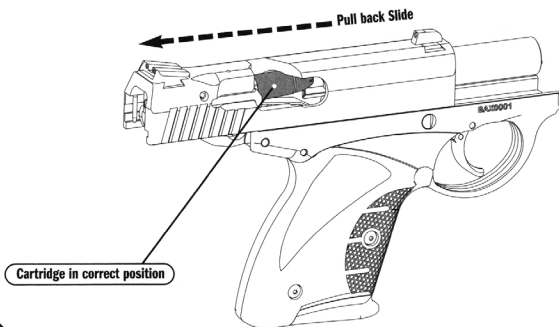
To verify that the slide has successfully reached its full rearward position, look at the ejection port area of the slide to see if a live cartridge is fully upward and trapped against the underside of the slide. (See Figure Page 8.)

If the cartridge is not in this position, continue drawing the slide rearward until this condition is met. If there is no cartridge present, release the slide, allowing it to go to its full forward position. If there is still no cartridge, verify that there are cartridges present in the magazine. If a cartridge is in the correct position, as shown in Figure on Page 8, release the slide sharply (in essence, “slingshotting” it forward). This chambers a cartridge, making the pistol ready to fire. **THE BOND ARMS BULLPUP PISTOL CAN NOW BE FIRED BY PULLING THE TRIGGER.**

If you wish to reload the magazine in your Bond Arms BullPup pistol to its full capacity, depress the magazine release and remove the magazine from the pistol.

### NOTE

**TO PROPERLY ENGAGE FIRST ROUND, SLIDE NEEDS TO BE PULLED BACK FORCEFULLY AND THEN RELEASED.**



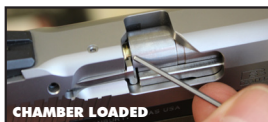


## LOADING (cont.)

**THE BOND ARMS BULLPUP PISTOLS ARE CAPABLE OF FIRING, EVEN WHEN THE MAGAZINE HAS BEEN REMOVED, IF THE TRIGGER IS PULLED.** If the magazine is removed with a round left in the chamber, be sure to holster or otherwise secure the pistol under your direct control while the magazine is being reloaded.

Load one cartridge into the magazine to replace the cartridge, which was chambered when you allowed the slide to go forward. Reinsert the loaded magazine into the magazine well until it is locked into place. To make sure the magazine is again fully and completely seated, apply some removal tension to the exposed portion of the magazine (floor plate).

Your Bond Arms BullPup pistol is now fully loaded and ready to fire. Remember to keep your pistol pointed in a safe direction at all times and always keep your finger outside the trigger guard until you are ready to fire. Never leave any loaded firearm unattended.



## HALF RACK

If the slide is not fully and **forcefully** racked with a live round, the slide could stay opened.

**Solution:** Forcefully rack the slide to dislodge live round.



NOTE; If the magazine is removed at this point, there could be 1 LIVE round in the chamber and 1 LIVE round in the claw.

If a forceful racking of the slide does not remove the 1st round, go ahead and shoot both rounds down range at a safe target.

(Rack twice to remove both rounds)

## FIRING

### W A R N I N G

SOME USERS OF BOND ARMS BULLPUP PISTOLS MAY "STAGE" THE TRIGGER IN ANTICIPATION OF FIRING A SHOT USING ITS DOUBLE-ACTION-ONLY (DAO) TRIGGER. "STAGING" IS THE ACT OF PULLING THE TRIGGER REARWARD TOWARD – BUT JUST SHORT OF – THE POINT WHERE THE HAMMER FALLS AND THE PISTOL FIRES. SUCH MANIPULATION OF THE TRIGGER CAN REDUCE THE USER'S CONTROL OF THE HANDGUN AND CAN RESULT IN AN UNINTENTIONAL DISCHARGE. FURTHERMORE, IF THE USER DECIDES NOT TO FIRE, RELEASE OF THE TRIGGER FROM A POSITION CLOSE TO THE FIRING POINT IN THE "STAGING" PROCESS COULD RESULT IN A DISCHARGE. OBVIOUSLY, "STAGING" THE TRIGGER VIOLATES A BASIC RULE OF FIREARM SAFETY WHICH WARNS YOU TO KEEP YOUR FINGER OFF THE TRIGGER AND OUTSIDE THE TRIGGER GUARD UNTIL READY TO FIRE. WE WARN ALL USERS OF OUR DAO PISTOLS TO REFRAIN FROM "STAGING" THE TRIGGER.

Hold the pistol firmly in your shooting hand with your finger outside the trigger guard. After verifying that the target and the area beyond are safe, align the sights on the target. When you are ready to shoot, place the pad of your index finger on the trigger. When the trigger is drawn fully to the rear, the hammer is released, striking the firing pin, which strikes the cartridge primer. Upon firing, the slide moves rearward, thereby extracting and ejecting the spent cartridge case. At the same time, a fresh cartridge is being drawn from the magazine and lifted into alignment with the barrel. On the forward stroke of the slide, the new cartridge is placed into the chamber. During firing operation, the thumb or any other part of the hand should not interfere with the slide. This sequence can be repeated until the last round has been fired.

**PLEASE NOTE THAT THE BOND ARMS BULLPUP HAS NO AUTOMATIC SLIDE STOP ON THE LAST SHOT.**

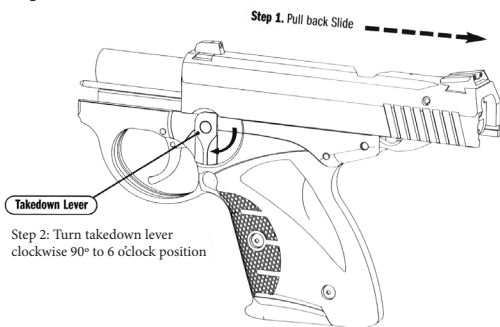
(The Bond Arms BullPup has a manual slide stop.)

### CLEARING MISFIRES

If a round fails to fire, pull the trigger again. If this does not result in a discharge wait at least thirty seconds while keeping the muzzle pointed in a safe direction. Then draw back the slide to eject the bad round and chamber a new round. After waiting at least sixty seconds, retrieve the misfired round and inspect it. If the firing pin indent on the primer is off center, light or nonexistent, see Troubleshooting Guide on Page 23. Be sure to dispose of the misfired round according to the ammunition manufacturer's instructions.

## UNLOADING

While keeping your finger outside the trigger guard and pointing the muzzle in a safe direction, depress the magazine release and remove the magazine. With your finger still outside the trigger guard and the muzzle still pointing in a safe direction, grasp the slide from the rear and forcefully pull the slide fully rearward to eject the round from the chamber and lock back the slide with the takedown lever rotated down to the 6 o'clock position. (See figure below) Visually inspect the barrel chamber from the back, not down the barrel, to be sure it is empty. Unload the magazine by holding it with the bullet end of the cartridge pointing away from you and drawing each cartridge backward and out of the magazine.



## TARGETING & SIGHT ADJUSTMENT

To adjust for windage, simply move the rear sight in the direction you want the bullet to move on the target. For example, if you want the bullet to move to the right, move the rear sight to the right. To move the rear sight, simply loosen the set screw with a 1/16" hex key and re-tighten when sight is in desired position. **Be careful not to lose control of the rear sight when loose / because it contains the firing pin safety spring.**

## DRY FIRING:

It's OK to dry fire the BullPup pistol. This will not harm the gun in any way. However, always make certain that the gun is unloaded and aimed in a safe direction.

## FIELD STRIPPING

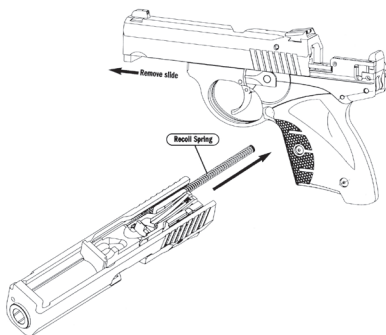
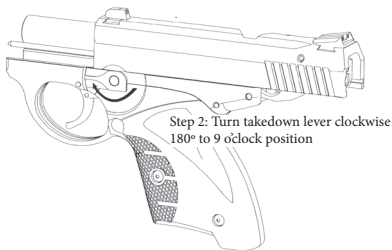
# WARNING

DURING FIELD STRIPPING OF YOUR PISTOL, ALWAYS POINT THE MUZZLE IN A SAFE DIRECTION AND BE SURE TO KEEP YOUR FINGER OUTSIDE THE TRIGGER GUARD. BE SURE YOUR PISTOL IS UNLOADED BEFORE DISASSEMBLY.

### Disassembly:

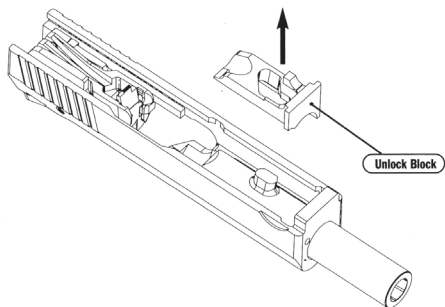
To disassemble, depress the magazine release and remove the magazine. Grasp the slide from the rear and **forcefully pull** the slide fully rearward to eject the cartridge from the chamber and lock the slide open with the takedown lever rotated to the 6 o'clock position. (See Figure Page 11.) Visually inspect the barrel chamber to be sure it is empty. **Never clean, lubricate, disassemble or work on your pistol while it is loaded.**

**Field Strip**—Hold the slide back while rotating the takedown lever to the 9 o'clock position as shown.

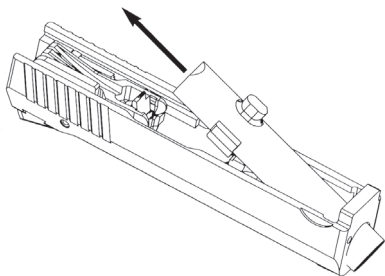


The slide is now free to move forward for removal. Remove the recoil spring (with guide rod), unlock block and barrel as shown in Figures on Page 13. Note: it may be necessary to tip the barrel slightly in order for the unlock block to be removed.

Now with the unlock block removed, the barrel can be tipped out.



The pistol is now ready for normal cleaning and lubrication. *Further disassembly is not recommended and should only be undertaken by Bond Arms Service Department.*



**Reassembly:** With the bottom of the slide turned up, replace the barrel in the slide by tipping it back into place. Replace the unlock block as shown below.

It is helpful to have the barrel slightly tipped. Replace the recoil spring with the guide rod inside. Be sure the recoil spring is properly seated in the corner of the slide. (See Below.) Now push the unlock block rearward as shown in top Figure on Page 19, crowding it under the two tongs.



Holding the slide assembly in one hand, move the rear of the slide onto the frame rails. It is recommended that this be done with the gun upside-down. When installing the slide onto the frame, be certain that the recoil spring/guide rod is seated into the notch in the frame. (See middle figure Page 19.) If the slide does not go on completely at this point, check to make sure that the **flip link is flush** with the hammer. (See bottom figure Page 19.) If it is not, hold it in while installing the slide. Once these requirements have been met, continue moving the slide onto the frame until the slide is fully rearward before rotating the takedown lever back to its 3 o'clock position. The gun is now assembled.

# BOND ARMS, INC. LIMITED WARRANTY

## Warranty Registration

Please complete and return the enclosed Registration of Warranty card, or register your purchase online at [www.BondArms.com](http://www.BondArms.com) under the Customer Service tab, within 30 days after purchase.

## Warranty Statement

Bond Arms, Inc. ("Bond") warrants, to the original purchaser only, that this handgun is free of defects in material and workmanship for three years after the date of purchase, subject to the limitations and exclusions listed below. Bond agrees to correct any defect for the original purchaser by repairing or replacing, in Bond's sole discretion, any defective parts (or, in Bond's sole discretion, the whole handgun) within a reasonable time after the handgun is returned to Bond in accordance with the terms of this Limited Warranty. This Limited Warranty terminates three years after purchase, or when the original purchaser no longer owns or possesses the handgun. At BOND ARMS' discretion, claims made by a second or subsequent owner may or may not be honored. This Limited Warranty is limited to owners within the United States and U. S. territories and possessions.

## What is Not Covered?

This Limited Warranty does not cover, and Bond shall not be liable for, personal injury, property damage, or damage to the handgun caused by unauthorized repair or modification, use of ammunition that is reloaded, improper, or not recommended by Bond, failure to perform routine maintenance, misuse, accidents, barrel obstructions, improper or negligent operation, or normal wear and tear or corrosion, including finish wear. Bond disclaims all liability if the instructions in the Bond manual are not followed.

## Exclusions and Limitations

**This Limited Warranty is exclusive, and excludes and replaces any and all implied warranties, including any warranty of merchantability or fitness for any particular purpose, and direct, incidental, consequential or other damages.** Bond disclaims all liability if the instructions in the Bond manual are not followed. Some states do not allow exclusion of incidental or consequential damages, so this may not apply to you. Bond's obligations and liability under this Limited Warranty are limited solely to its cost to repair or replace defective parts or the handgun. This Limited Warranty gives you certain legal rights. You may have other rights which vary depending on your state.

## ALWAYS USE PROPER AMMUNITION

Bond recommends the use of only factory loaded ammunition, and there may be specific requirements or limitations for the different Bond handguns. The Bond Bullpup operates differently from other semi-automatic handguns, and so the proper ammunition for it may be different as well. Be sure to read and follow the instructions in the BOND ARMS, INC. AMMUNITION NOTICE that applies to your handgun.

Do not attempt to return any handgun without first calling customer service and obtaining an RMA number. For Instructions on returning a handgun call Bond Arms Customer Service.

It is illegal for an individual to send a handgun through the U.S. Mail.

### Customer Service

Phone: 817-573-4445

Hours: M-F, 8:30a.m.-4:00p.m. Central

## **YOUR PURCHASE RECORD**

**RECORD YOUR SERIAL NUMBER HERE AND KEEP THIS BOOKLET  
WITH YOUR PISTOL CASE FOR YOUR CONVENIENCE.**

Name of Owner \_\_\_\_\_

Address \_\_\_\_\_

City \_\_\_\_\_ State \_\_\_\_\_ Zip \_\_\_\_\_

Contact Phone No. \_\_\_\_\_

Model \_\_\_\_\_ Caliber \_\_\_\_\_

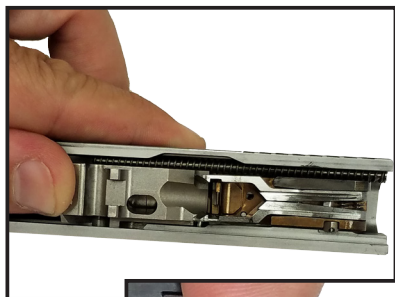
Serial No. \_\_\_\_\_

Where Purchased \_\_\_\_\_

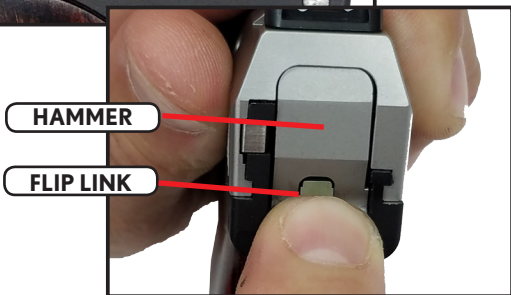
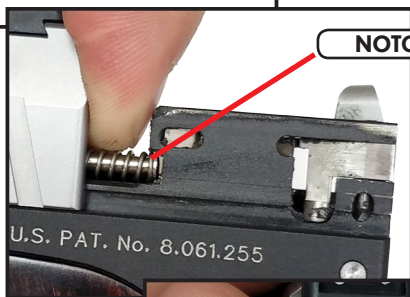
Date of Purchase \_\_\_\_\_



NOTE: If you are having trouble moving the slide all the way back, one trick is to remove the slide assembly, and spin the spring/guide rod assembly 180° between your fingers.



**WARNING**  
MANIPULATION OF THE  
HAMMER OTHER THAN BY  
THE TRIGGER WILL DAMAGE  
YOUR FIREARM AND VOID  
WARRANTY



## **CLEANING AND MAINTENANCE**

Follow this routine maintenance procedure to ensure that your pistol functions properly.

### ***CLEANING:***

After firing your Bond Arms BullPup pistol, be sure to unload it following the procedure outlined in the section entitled “Unloading” (See Page 11.) before field stripping and beginning any cleaning or maintenance procedure.

Clean the barrel bore with a premium quality, powder removing solvent and bore brush. Wipe the bore clean with a bore patch or swab. Using a small brush and solvent, remove all deposits from around the breech of the barrel, the chamber, extractor, locking lugs, and adjacent areas which have been subjected to the action of the powder or primer residue. Remove any residue on the frame with light brushing and solvent. Clean the magazine well by removing any grit, dust, or residue with a magazine well swab.

### ***MAGAZINE DISASSEMBLY:***

Hold magazine with floor-plate facing up and front of magazine facing away from you. Use a small screwdriver to lift the leg of the magazine spring out of the groove while shoving the magazine floorplate forward. (See Figure below.) Exercise caution during floorplate removal since the magazine spring is under compression. Always wear eye protection when performing such tasks.

### ***MAGAZINE CLEANING:***

Swab the inside of the magazine tube with a clean brush to remove lint and debris.

### ***MAGAZINE REASSEMBLY:***

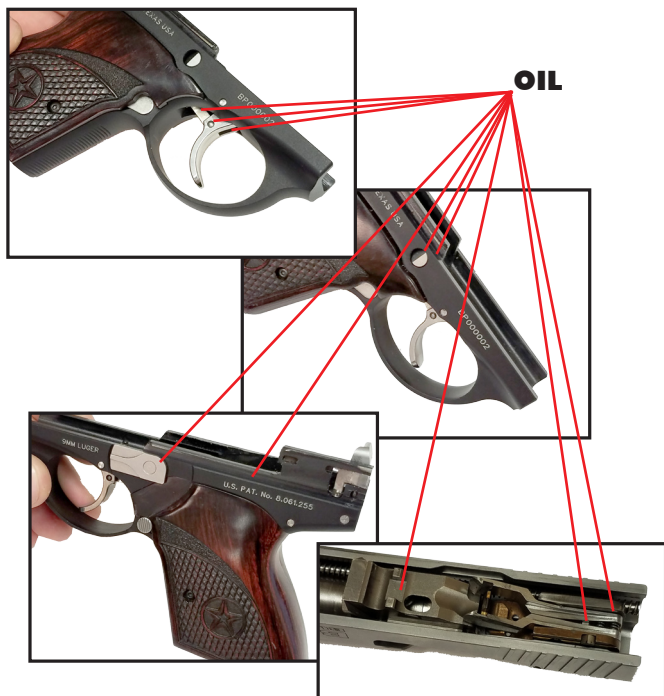
Insert spring. Then slide the floor-plate over the spring until the floor plate comes to a stop. Use a small screwdriver to lift the spring leg into the groove in the floor plate.



## LUBRICATION GUIDE

The Bond Arms BullPup comes pre-lubricated at the factory with a non-evaporating lubricant. However, it is recommended that the BullPup be periodically lubricated, especially after cleaning. In the Figures below, the key lubrication points are shown.

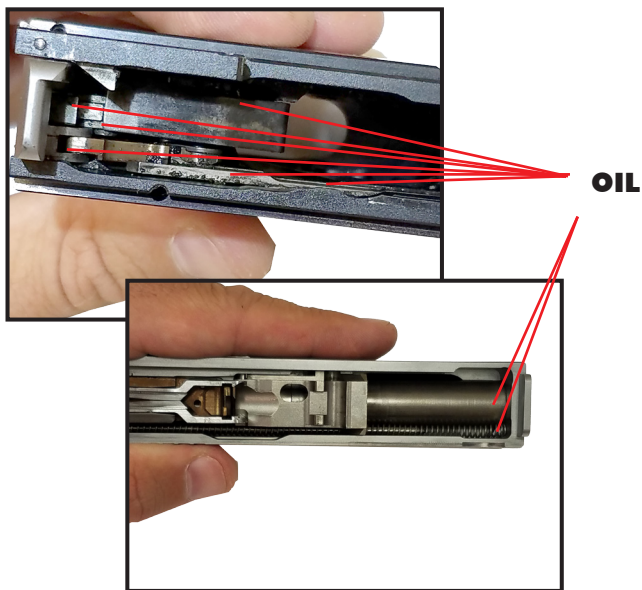
One drop of oil in each area is recommended. Any excess lubricant should be wiped off, especially on the grip area.



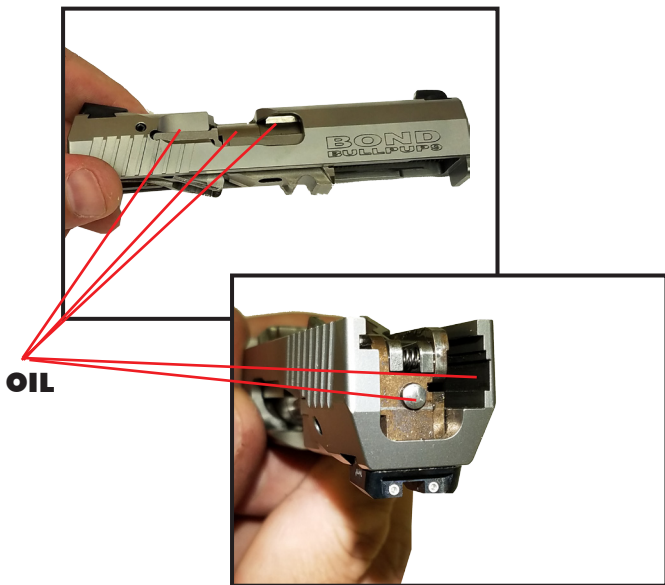
## LUBRICATION GUIDE

### **N O T E**

ON THE BOND ARMS BULLPUP, THE UNLOCK BLOCK AND BARREL BOTH FEATURE A PERMANENT, LOW-FRICTION COATING AND ONLY NEED TO BE LIGHTLY OILED OCCASSIONALLY.



# LUBRICATION GUIDE



## TRANSPORTATION AND STORAGE

### W A R N I N G

ALWAYS UNLOAD YOUR PISTOL BEFORE STORING OR TRANSPORTING. TO PROTECT YOUR BOND ARMS BULLPUP PISTOL FROM DAMAGE, UNAUTHORIZED USE AND THEFT, SECURE IT IN THE CASE PROVIDED. STORE YOUR AMMUNITION SEPARATELY. IF YOUR PISTOL IS TO BE STORED FOR AN EXTENDED PERIOD OF TIME, TREAT THE BORE AND CHAMBER WITH CORROSION INHIBITING LUBRICANT. CLEAN THE BORE AND CHAMBER BEFORE USING AGAIN. WHEN TRANSPORTING ANY FIREARM, IT IS YOUR RESPONSIBILITY TO LEARN AND OBEY ALL APPLICABLE LAWS.

### USE OF THE GUN LOCK

Safe firearm ownership is your responsibility. Only the firearm owner can and should prevent misuse and/or accidental discharges. The enclosed device is not a substitute for common sense and personal liability. As with all mechanical devices, it can be defeated. Take all recommended precautions with attaching this device and store the firearm in a safe and responsible manner.



This gun lock is designed to keep your firearm stored in a safe condition. Use of this device does not relieve the handler or owner of the firearm from always following proper firearm safety rules. This device is designed to prevent the unauthorized use of the firearm on which it is being used. The device is not intended to prevent theft. To prevent theft, we strongly recommend keeping all firearms in an approved firearm safe or other type of secure storage system. Always observe the warnings and instructions when using this device on a firearm. Keep firearms and ammunition stored separately and securely. Keep firearms and ammunition out of the reach of children.

## **INSTALLATION:**

### **W A R N I N G**

NEVER INSTALL THIS DEVICE OR ANY OTHER TYPE OF FIREARM SAFETY DEVICE ON A LOADED FIREARM. ALWAYS UNLOAD THE FIREARM BEFORE INSTALLING THIS DEVICE OR BEFORE STORAGE. THE USE OF THIS GUN LOCK WILL HELP TO PREVENT YOUR FIREARM FROM BEING USED (DISCHARGED) BY UNAUTHORIZED PERSONS. THIS DEVICE IS NOT INTENDED TO PREVENT THE FIREARM FROM BEING STOLEN. STRICT FIREARM SAFETY PRACTICES SHOULD ALWAYS BE FOLLOWED WHEN YOUR FIREARM IS SECURED BY THIS SAFETY DEVICE.

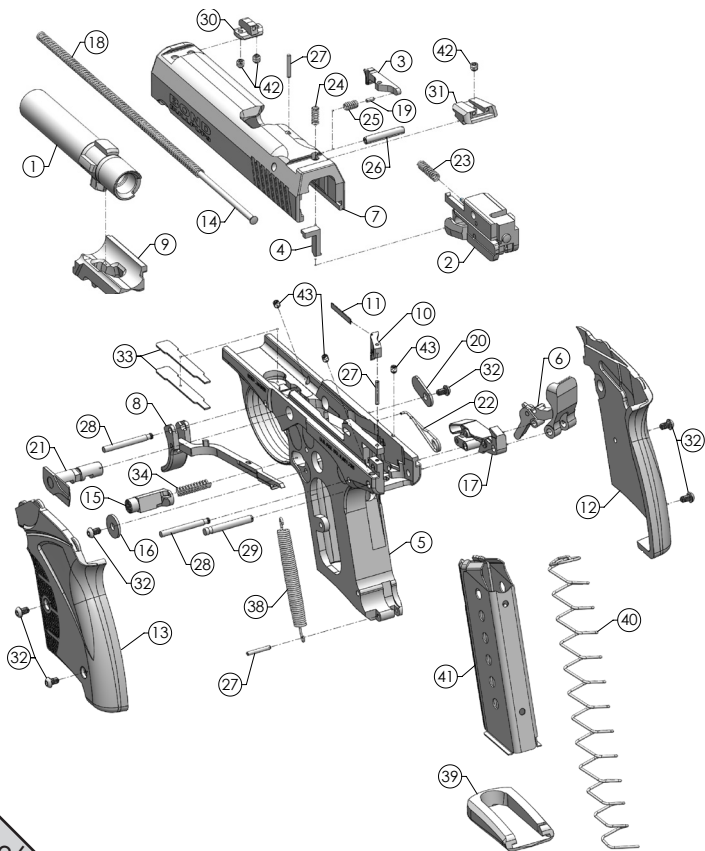
1. Unload all ammunition in a safe manner as explained in your firearm owner's manual. (See Page 11.)
2. Visually inspect the chamber, feed mechanism, receiver and magazine to confirm the firearm is completely unloaded.
3. Use the key to release the cable.
4. For proper installation of this lock on your new Bond Arms BullPup firearm, please reference figure on Page 24.
5. Remove magazine.
6. Check to ensure the gun is completely empty of live ammo.
7. While pulling the slide partially rearward, insert cable through the ejection port and push down through the magazine well.
8. Insert open end of cable into the lock body and turn key to lock.
9. Remove keys.
10. Pull on lock body to ensure the device has locked properly.
11. Store your keys in a secure location.

### **SERVICE AND RETURNS**

Should your Bond Arms BullPup pistol require adjustment or repair, please call Bond Arms Customer Service at 817-573-4445 for a return authorization number. When returning your gun please **UNLOAD IT**, then ship the gun in the original box. Be sure to include a note briefly stating the reason you are returning your Bond Arms BullPup pistol with a contact phone number and shipping address. Do not send it to an unauthorized gunsmith. Please return to Bond Arms Customer Service Department. **(IT IS ILLEGAL FOR AN INDIVIDUAL TO SHIP A HANDGUN THROUGH THE U.S. POSTAL SERVICE.)**

## PARTS AND ACCESSORIES

Replacement parts and accessories for your Bond Arms BullPup pistol are available for purchase from Bond Arms by calling 817-573-4445. When ordering parts directly from the factory, please provide the serial number and approximate date of purchase of your BullPup pistol. Be sure to include the part number (BA-000-XXXX format) and description of the parts or accessories you want to order.





# TROUBLESHOOTING

In the unlikely event that the Bond Arms BullPup fails to perform as expected, there are a few things you can check before contacting us so that we can better serve you.

## LIVE ROUND FALLS OUT DURING FIRING

### Possible cause #1:

#### Magazine not latched.

**Remedy:** If the magazine is not latched, it may not be high enough for the tongs to grab the cartridge. Make certain that the magazine is latched by pushing up on it until an audible clicking sound is heard.

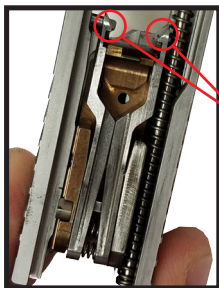
### Possible Cause #2:

#### Broken or damaged tong.

**Remedy:** While this is an unlikely occurrence, remove the slide assembly (see field stripping section on Page 12) and examine the tongs. They should look like the photo below. You can also insert a cartridge into the tongs to verify that the tongs have a positive grip. If, for any reason, either tong is not intact, or has become bent or damaged in any way, contact repair@BondArms.com.

(continued next page)

ITEM	PART #	QTY	TITLE
1	BA-000-0001	1	BARREL
2	BA-109-0007	1	INSERT BLOCK ASSEMBLY
3	BA-000-0003	1	EXTRACTOR
4	BA-000-0005	1	FIRING PIN SAFETY
5	BA-000-0006	1	FRAME
6	BA-109-0006	1	HAMMER ASSEMBLY
7	BA-000-0009	1	SLIDE
8	BA-109-0005	1	TRIGGER ASSEMBLY
9	BA-000-0014	1	UNLOCK BLOCK
10	BA-000-0016	1	EJECTOR LEVER
11	BA-000-0017	1	EJECTOR SPRING
12	BA-000-0020	1	RIGHT GRIP PANEL
13	BA-000-0021	1	LEFT GRIP PANEL
14	BA-000-0022	1	GUIDE ROD
15	BA-000-0026	1	MAGAZINE RELEASE
16	BA-000-0027	1	RETENTION WASHER
17	BA-109-0004	1	LIFT MECHANISM ASSEMBLY
18	BA-000-0033	1	SLIDE SPRING
19	BA-000-0182	1	EXTRACTOR BACKUP PIN
20	BA-000-0034	1	SPRING COVER
21	BA-000-0035	1	TAKE DOWN LEVER
22	BA-000-0037	1	TRANSFER BAR SPRING
23	BA-000-0038	1	FIRING PIN SPRING
24	BA-000-0039	1	FIRING PIN SAFETY SPRING
25	BA-000-0040	1	EXTRACTOR SPRING
26	BA-000-0041	1	COILED PIN
27	BA-000-0043	3	DOWEL PIN .063 DIA X 7/16 "
28	BA-000-0044	2	PIVOT PIN
29	BA-000-0048	1	HAMMER PIVOT PIN
30	BA-000-0051	1	FRONT SIGHT
31	BA-000-0052	1	REAR SIGHT
32	BA-000-0060	6	M2.5 X 4 BHCS
33	BA-000-0064	2	LEAF SPRING
34	BA-000-0067	1	MAGAZINE RELEASE SPRING
35	BA-000-0068	1	SNAP-SHELL CASE
36	BA-000-0069	1	OWNER'S MANUAL
37	BA-000-0070	1	GUN LOCK
38	BA-000-0157	1	6.5# MAIN SPRING (STANDARD)
39	BA-000-0018	1	FLOOR PLATE
40	BA-000-0025	1	MAGAZINE SPRING
41	BA-000-0032	1	MAGAZINE TUBE
42	BA-000-0092	3	#5-44 X 1/8" SCPSS RC45
43	BA-000-0083	3	M2.5 X 3MM SHSS



Both tongs clamp towards center.

### Possible Cause #3: Damaged magazine.

**Remedy:** If the upper portion of the magazine has been bent, the top cartridge may be presented off-center, not allowing the tongs to get a full grip. (See photo.) Replace magazine.

If bent,  
replace  
magazine.



### Possible Cause #4: Worn out magazine spring.

**Remedy:** The magazine spring can lose force if cycled several thousand times. Check spring force by inserting a magazine containing only 3 cartridges. If you are not able to successfully chamber a round, then replace the magazine spring. Long-term storage of a full magazine affects spring force to a very small degree.



### Possible Cause #5: Dirty magazine:

**Remedy:** If the magazine has a significant amount of build-up or debris in it, it can impede the upward flow of cartridges. A quick way of checking this is to manually unload a full magazine and watch if the cartridge column moves up quickly. If it moves up slowly, or not at all, disassemble the magazine and clean the interior thoroughly. A narrow toothbrush will work well for this.

## STOVEPIPE

The term “stovepipe” refers to when an empty case gets caught in the ejection port. While this occurrence is rare, it can occur with the last cartridge from a magazine since the empty case does not receive the additional ejective action from another rising cartridge. To clear the ejection port, simply draw the slide back and tip the gun so that the empty case falls out.



***(STOVE-PIPING MAY BE CAUSED BY A LESS THAN FIRM GRIP AND IS CALLED “LIMP-WRISTING” WHEN FIRING, CAUSING THE SLIDE TO MANFUNCTION).  
SOLUTION: HOLD GUN 20% FIRMER.***

## **MAGAZINE SPRING POPS OUT OF THE TOP OF THE MAGAZINE**

If the magazine is not removed during field stripping, the magazine spring can get caught by the tongs and get partially pulled out. To re-insert the magazine spring, remove the floor plate, (See figure) and work the spring in from the top, one coil at a time, then re-install floorplate.



## **LIGHT FIRING PIN STRIKES**

**Possible Cause: Worn Mainspring.**

**Remedy:** With heavy use, the mainspring can lose force. Normal life is between 2,000 and 5,000 rounds, depending on the types of ammunition used. If light strikes occur, it is recommended to replace the mainspring and order an additional spare.

To replace the mainspring, make sure the gun is unloaded. Then turn the take-down lever to the position shown in figures on the right.

Then remove both grip panels using a 1.5mm hex key and un-hook the spring as show in the figures on the right. Note that the open part of the spring hooks face backward, with the longer hook pointing upward.



## CARTRIDGE SEPARATION

This problem can occur when using incompatible, uncrimped ammunition. It may present itself in a few different ways. The bullet may remain in the magazine and the case will not chamber properly. If the case and bullet separate, cease firing and thoroughly clean the firearm. Secondly, the bullet may not completely separate, but may protrude from the case far enough to cause loading issues. In this case, remove the magazine and unload the unspent case. Dispose of the unspent case in a range approved safe manner.



### Possible Cause #1: Aluminum-Cased Ammunition.

**Remedy:** As stated earlier, the Bond Arms BullPup is not rated for aluminum-cased ammunition— cease using this type of ammunition immediately.

### Possible Cause #2: Ammunition with little or no crimp.

**Remedy:** While we at Bond Arms have no control over ammunition manufacturing, **you should always test fire ammunition at a range before using for self-defense.** Our recommended minimum crimp pull-out force is 30 lbs (many styles of hollow-point ammunition achieve 100 lbs or more). While this is difficult for most people to measure, we recommend you use only high quality name brands of ammunition (See approved ammunition list on Page 6). Hand-loaded ammunition is not recommended and will void any warranties. **(ONCE YOU FIND RANGE AMMO AND PERSONAL PROTECTION AMMO THAT WORKS WELL IN YOUR BULLPUP, CONTINUE TO USE THAT AMMO.)**

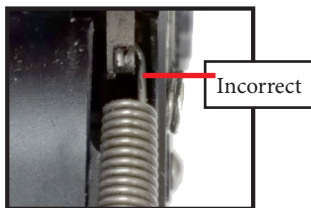
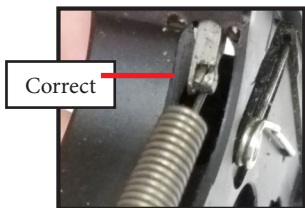
### Possible Cause #3: Dirty Chamber.

**Remedy:** Clean chamber with bore brush and solvent (at least after every 200 rounds). A partially-clogged chamber throat can cause excessively high pressure spikes that can significantly increase slide acceleration and potentially damage your weapon.

## ***“CATCHY” TRIGGER – OR – HAMMER DROPS BACK***

**Possible cause:** Mainspring partially hooked or totally unhooked.

**Remedy:** Remove grip panels and properly re-install mainspring. The longer spring hook points upward. Note that the spring should hang squarely on the anchor link as shown. Check to make sure that the upper (longer) spring hook is not damaged—its shape should look like a perfect letter “J”.





**P.O. Box 1296  
Granbury, Texas 76048**

**817-573-4445**

**[www.bondarms.com](http://www.bondarms.com)**